

SUPERWINCH LTD

EXPLODED VIEWS WITH PARTS LISTS.

2006



SUPERWINCH LTD. UNION MINE ROAD, PITTS CLEAVE, TAVISTOCK, DEVON. PL19 0PW. Tel: 01822 – 614101 Fax: 01822 – 615204.

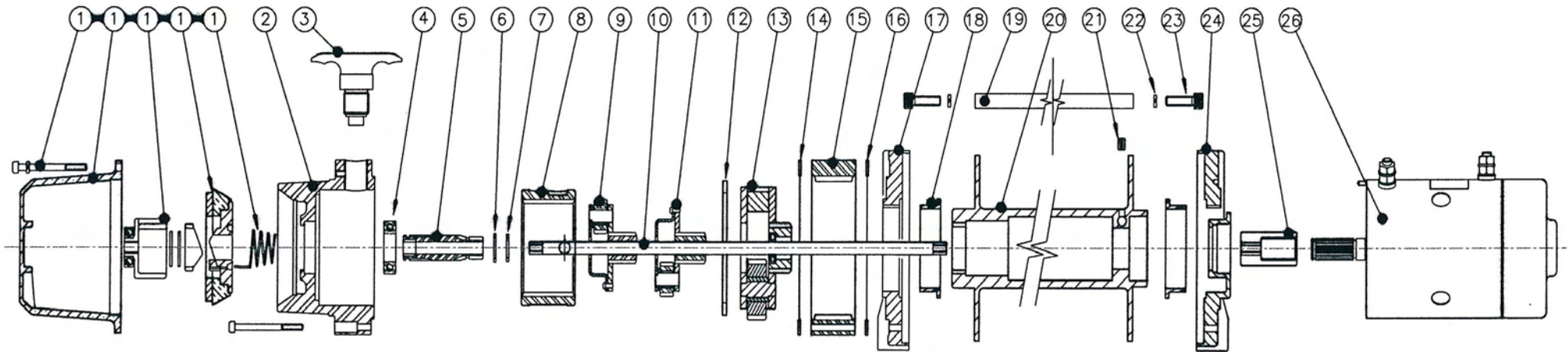
5-040-029 Issue 2



SUPERWINCH LTD EXPLODED VIEWS WITH PARTS LIST INDEX

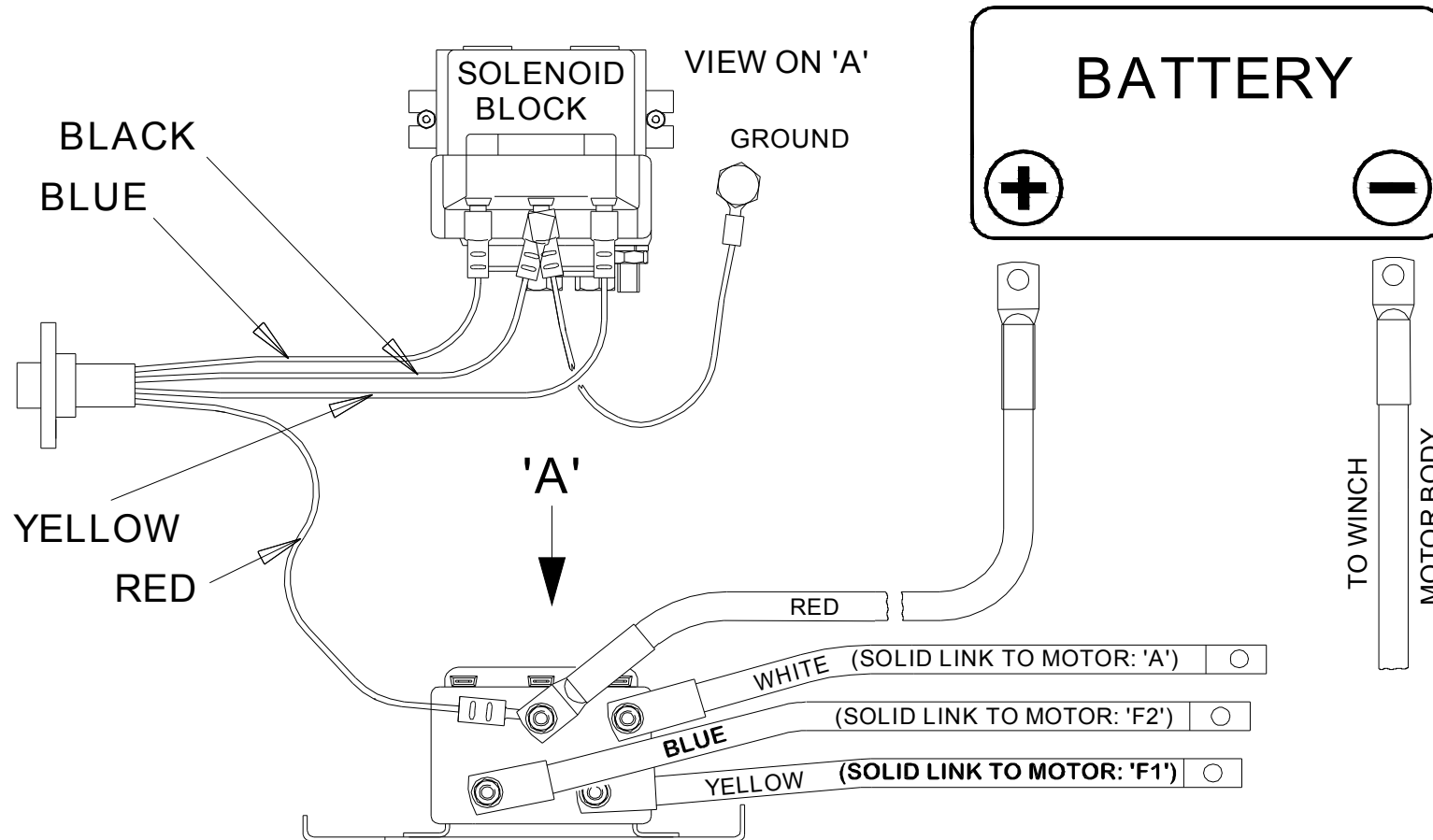
Product		Page(s)	SW Part #	Issue	# of Pages
	Cover	1	Parts List Cover	1	1
	Index	2	Parts List Index	2	1
EP 6.0 / 9.0	Exploded drawing & parts list – General assembly	3	5-020-072	1	1
	Electric wiring diagram	4	5-020-073	1	1
EP 12.5 / 16.5	Exploded drawing & parts list - General Assembly	5 & 6	5-020-084	1	2
H20 / 25 / 30P	Exploded drawing & parts list – General assembly	7	5-020-081	1	1
	Exploded drawing & parts list – Freespool options	8	5-020-082	1	1
H14W	Exploded drawing & parts list – General assembly	9 & 10	5-020-080	1	2
H12P / H14P	Exploded drawing & parts list – Manual freespool & gearbox assembly	11	5-020-077	1	1
	Exploded drawing & parts list – Motor/drum assembly	12	5-020-078	1	1
	Exploded drawing & parts list – Pneumatic freespool gearbox assembly	13	5-020-079	1	1
H9W	Parts list and service kits & Exploded drawing – General assembly	14 & 15	5-020-076	1	2
H8P / H10P	Exploded drawing & parts list – General assembly with load control valve	16	5-020-038	4	1
	Exploded drawing & parts list – General assembly without load control valve	17	5-020-039	4	1
E12P / E14P	Exploded drawing & parts list – Gearbox assembly	18	5-020-074	1	1
	Exploded drawing & parts list – Motor/drum assembly	19	5-020-075	1	1
E10P	Exploded drawing & parts list – General assembly	20	5-020-044	3	1
Husky	Exploded drawing & parts list – General assembly & Service kit list	21 & 22	5-020-040	4	2

EP 6.0 / 9.0 GENERAL ASSEMBLY



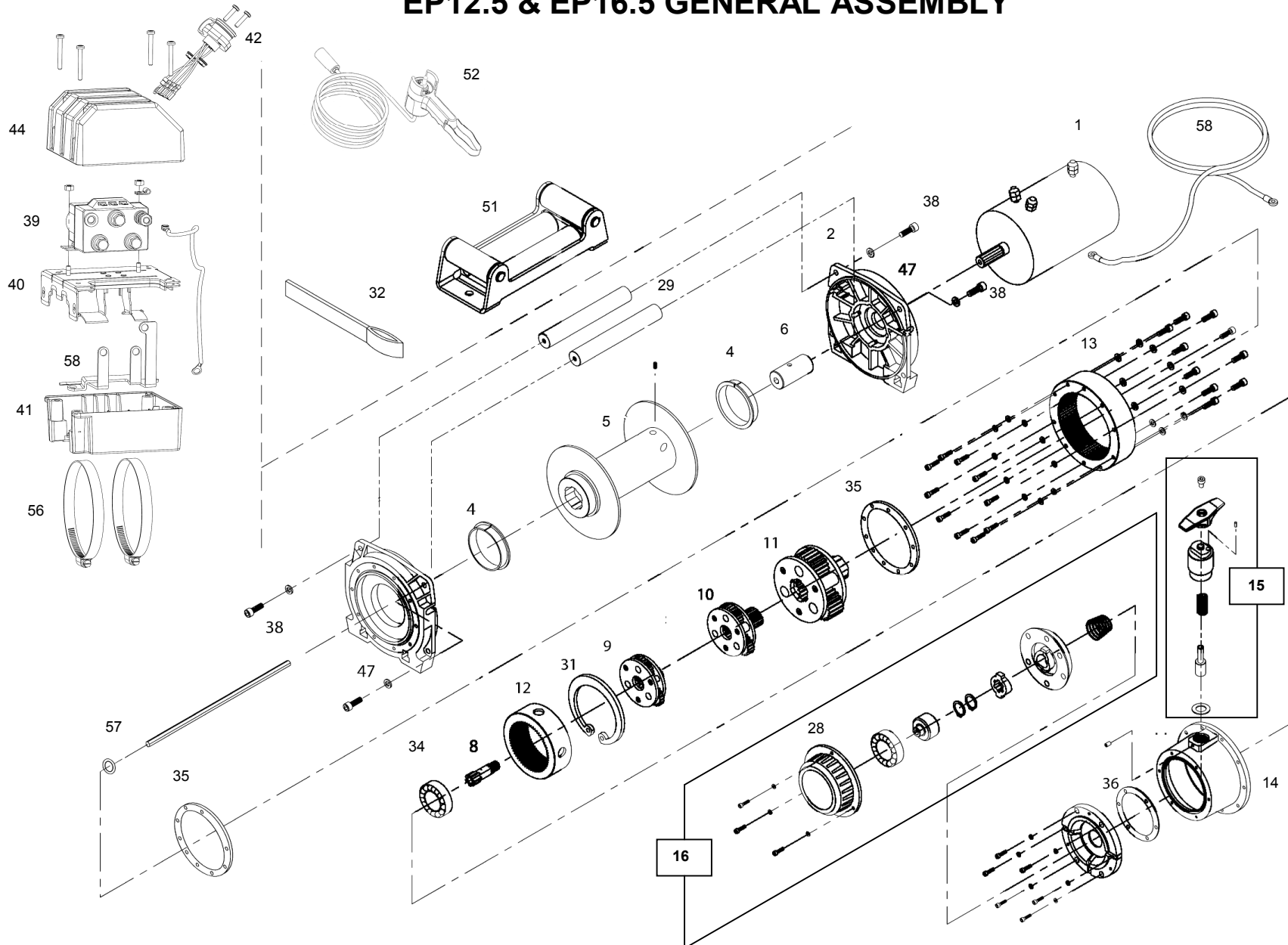
Item:	Description:	Part No:	Qty:	Item:	Description:	Part No:	Qty:
1	Brake Assembly	90-30510	1	15	3 rd Stage Ring Gear	90-30508	1
2	Gear Housing	90-30504	1	16	Gasket	90-20505	1
3	Freespool Assembly	90-20504	1	17	Gear Support Housing	90-40501	1
4	Bearing	90-20513	1	18	Drum Bushing	90-14500	2
5	Pinion Shaft	90-20502	1	19	Tie Bar	90-20509	2
6	Snap Ring	90-14502	1	20	Rope Drum	90-30517	1
7	Snap Ring	90-14502	1	21	Socket Set Screw	4-40-060803	1
8	1 st & 2 nd Ring Gear	90-30506	1	22	Spring Washer	90-14505	4
9	1 st Stage Carrier Assembly	90-30505	1	23	Screw	90-14504	4
10	Drive Shaft	90-20501	1	24	Motor Support Housing	90-40500	1
11	2 nd Stage Carrier Assembly	90-30507	1	25	Motor Adaptor	90-20500	1
12	3 rd Stage Washer	90-20503	1	26	12v DC Motor EP/EPi 6.0	90-30500	1
13	3 rd Stage Carrier Assembly	90-30508	1	26	12v DC Motor EP/EPi 9.0	90-30502	"
14	Gasket	90-20505	1	26	24v DC Motor EP/EPi 6.0	90-30501	"
				26	24v DC Motor EP/EPi 9.0	90-30503	"

ELECTRIC WIRING: EP WINCHES. ENCLOSED SOLENOID WIRING SERIES WOUND MOTOR



Superwinch Ltd. Abbey Rise, Tavistock, Devon. PL19 9DR. Tel: 01822-614101 Fax: 01822-615204 e-mail: sales@superwinch.net

EP12.5 & EP16.5 GENERAL ASSEMBLY

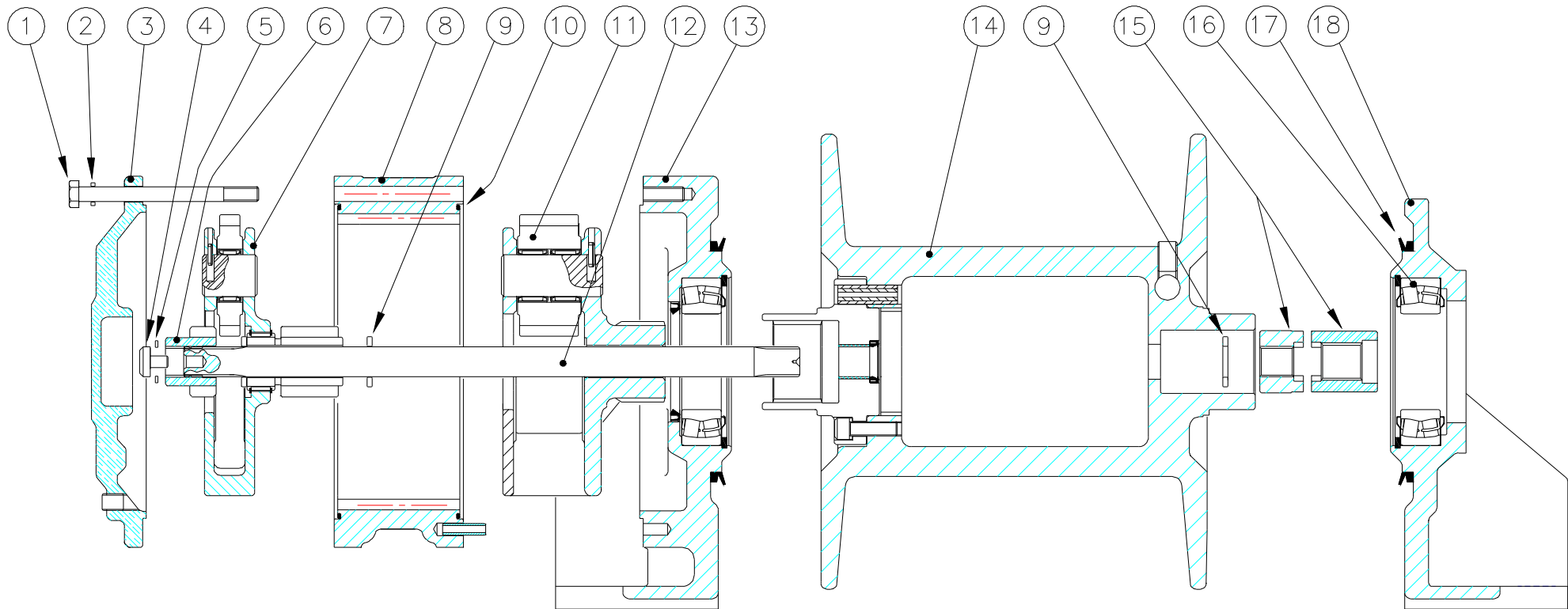




EP12.5 & EP16.5 GENERAL ASSEMBLY

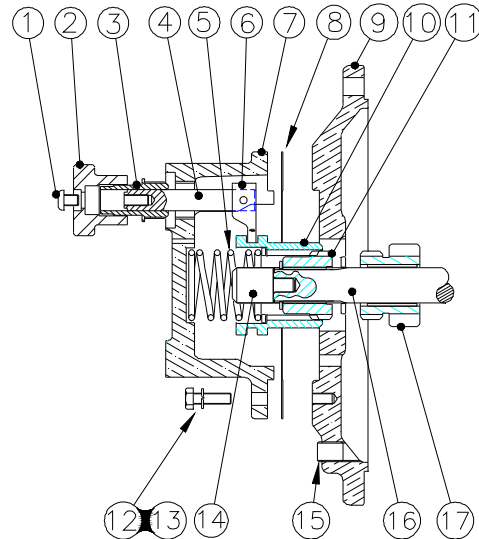
Item:	Description:	Part No:	Qty:	Item:	Description:	Part No:	Qty:
1	12V Motor, EP12.5	90-30502	1	32	Handsaver Strap	87-31120	1
	24V Motor, EP12.5	90-30503	1	34	Bearing	90-25088	1
	12V Motor, EP16.5	90-30502	1	35	Gasket A (2 per unit)	90-25077	2
	24V Motor, EP16.5	90-30503	1	36	Gasket B	90-25078	1
2	Motor Support Rack	90-46030	1	38	Tie Bar Screws	90-17382	6
3	Gear Support Rack	90-46031	1	39	Solenoid 12V	90-14452	1
4	Drum Bushing (2 per unit)	90-46032	2		Solenoid 24V	90-14454	1
5	Drum	90-46037	1	40	Solenoid Mounting Plate	90-33458	1
6	Motor Coupling	90-25075	1	41	Lower Solenoid Box	90-41145	1
7	1 st Shaft	90-33463	1	42	Remote Switch Socket	90-25048-01	1
8	1 st Shaft Gear	90-33464	1	44	Upper Solenoid Box	90-41144	1
9	1 st Stage Carrier EP12.5	90-33465	1	47	Spring Washer	90-17384	6
	1 st Stage Carrier EP16.5	90-33466	1	51	Roller Fairlead	90-30511	1
10	2 nd Stage Carrier	90-33467	1	52	Remote Switch Assembly	90-33450-01	1
11	3 rd Stage Carrier	90-33468	1	56	Band Clamp	90-25072	2
12	1 st & 2 nd Stage Ring Gear	90-33469	1	57	C Ring	90-17383	1
13	3 rd Ring Gear	90-33470	1	58	Motor Leadwire and Buss Bar Set	90-20511	1
14	Gear Box Cover	90-46033	1				
15	Freespool Assembly	90-46034	1		Optional		
16	Brake Assembly	90-46035	1	EP12.5	Wire Rope, 9.5mm x 38m	90-33472	
28	Brake cover	90-46036	1	EP16.5	Wire Rope, 11.1mm x 27.4m	90-33473	
29	Tie Bar (3 per unit)	90-33471	3				
31	C-Ring	90-25076	1	D	Mounting Hardware (<i>Not shown</i>)	90-25079	1

H20 / 25 / 30P SERIES WINCHES, GENERAL ASSEMBLY

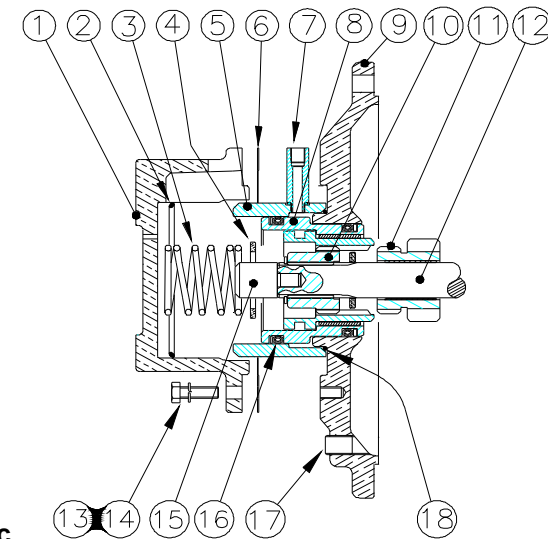


Item:	Description:	Part No:	Qty:	Item:	Description:	Part No:	Qty:
1	Bolt, M12 X 150	4-33-1215022	6	12	Drive Shaft, No Freespool.	54-50263	1
2	Spring Washer, M12	4-51-1223	6	13	Gearbox Housing	54-90219	1
3	Gearbox Cover	54-25047	1	14	Rope Drum Assembly	54-90217	1
4	Nylon Plug	54-50256	1	15	Drive Dog set	54-95054	1
5	CirClip	4-26-2517123	1	16	Drum Bearing Service kit	54-95055	1
6	Sun Gear	54-50206	1	17	Seal kit	54-95056	1
7	1 st Stage Carrier Assembly	54-90082	1	18	Motor Support Housing Assy	54-90220	1
8	Ring Gear	54-54057	1	N/S	Mounting Angles	54-52140	2
9	Thrust Washer	54-50011	3	N/S	Motor / Brake Assembly, H20	54-90196	1
10	O Ring	4-21-8053	2	N/S	Motor / Brake Assembly, H25	54-90197	"
11	2 nd Stage Carrier Assembly	54-90083	1	N/S	Motor / Brake Assembly, H30	54-90198	"

H20 / 25 / 30P SERIES WINCHES, FREESPOOL OPTIONS



Manual

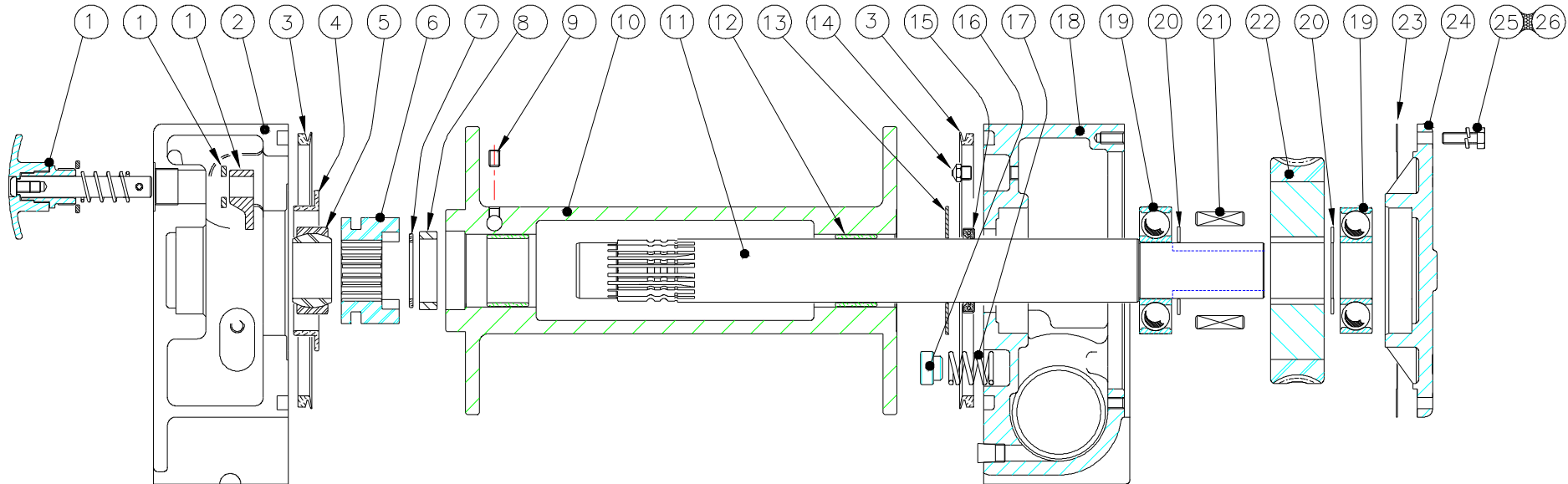


Pneumatic

MANUAL FREESPOOL ASSEMBLY:			
Item No:	Description:	Part No:	Qty:
	Complete Manual F/S Assembly	54-90218	(1)
1	Button Hd Screw	4-38-081023	1
2	Head, Release	54-50245	1
3	Body, Release	54-50246	1
4	Selector Shaft	54-50244	1
5	Spring	4-31-50763223	1
6	Freespool Fork	70-25012	1
7	Freespool Housing	54-25044	1
8	Gasket	54-60066	1
9	Gearbox Cover	54-25161	1
10	Clutch Member	54-50243	1
11	Drive Input Gear	54-50020	1
12	Set Screw, M8 X 25	4-32-0802522	7
13	Spring Washer, M8	4-51-0823	7
14	Drive Shaft Plug	54-50256	1
15	Plug, Filler / Level	4-29-224	3
16	Input Drive Shaft	54-50261	1
17	Sun Gear	54-50019	1

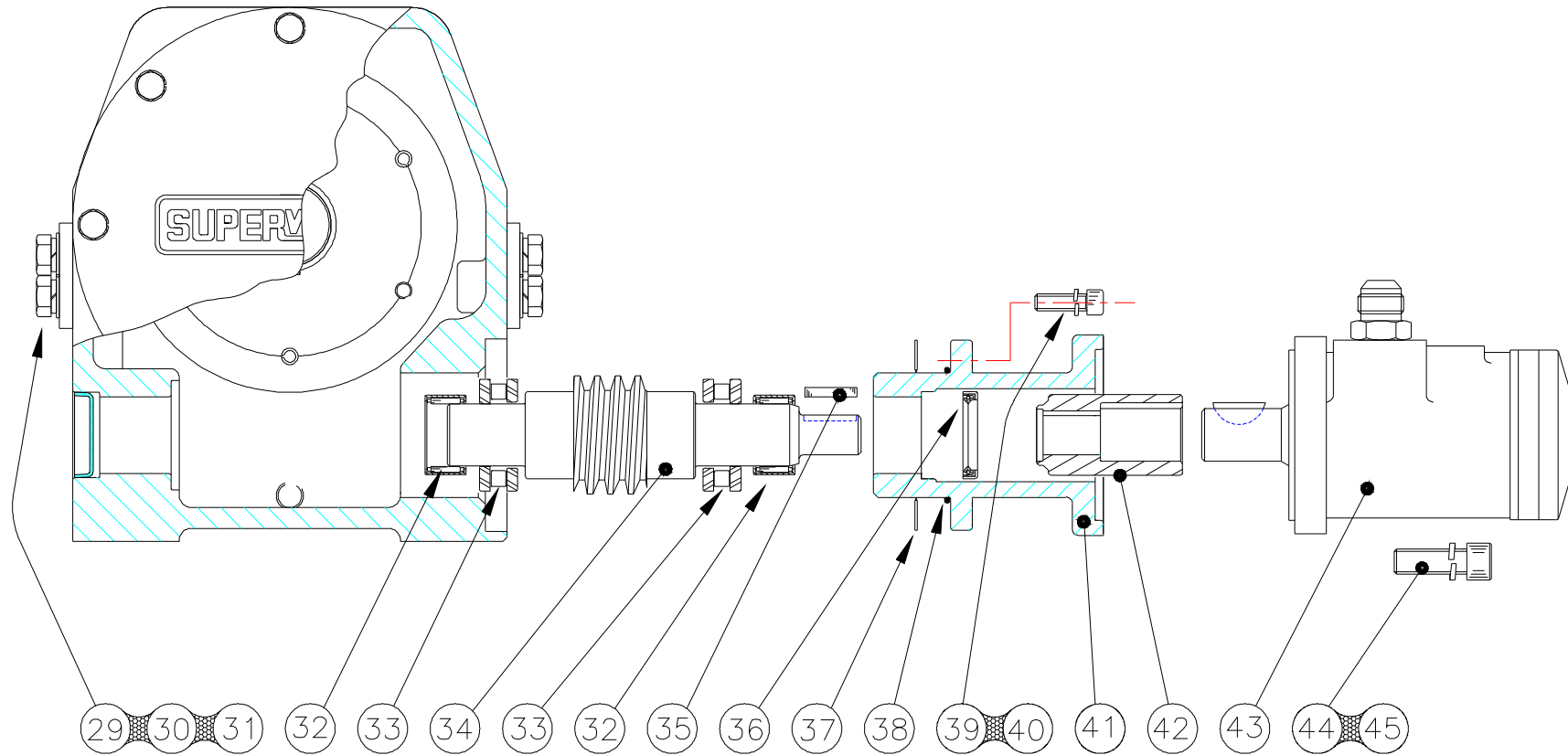
PNEUMATIC FREESPOOL ASSEMBLY:			
Item No:	Description:	Part No:	Qty:
	Complete Pneumatic F/S Assembly	54-90647	(1)
1	Freespool Housing	54-25045	1
2	'O' Ring	4-21-2053	1
3	Spring	4-31-50764823	1
4	Washer	4-02-4050253	1
5	Cylinder Assembly	54-95058	1
6	Gasket	54-60066	1
7	Pneumatic connector	54-50354	1
8	Piston Assembly	54-95058	1
9	Gearbox Cover	54-25161	1
10	Drive Input Gear	54-50020	1
11	Sun Gear	54-50019	1
12	Input Drive Shaft	54-50261	1
13	Setscrew, M8 X 25	4-32-0802522	7
14	Spring Washer, M8	4-51-0823	7
15	Drive Shaft Plug	54-50256	1
16	Freespool Seal set	54-95057	1
17	Plug, Filler / Level	4-29-224	3
18	'O' Ring	4-21-1953	1

H14W HYDRAULIC WINCH GENERAL ASSEMBLY



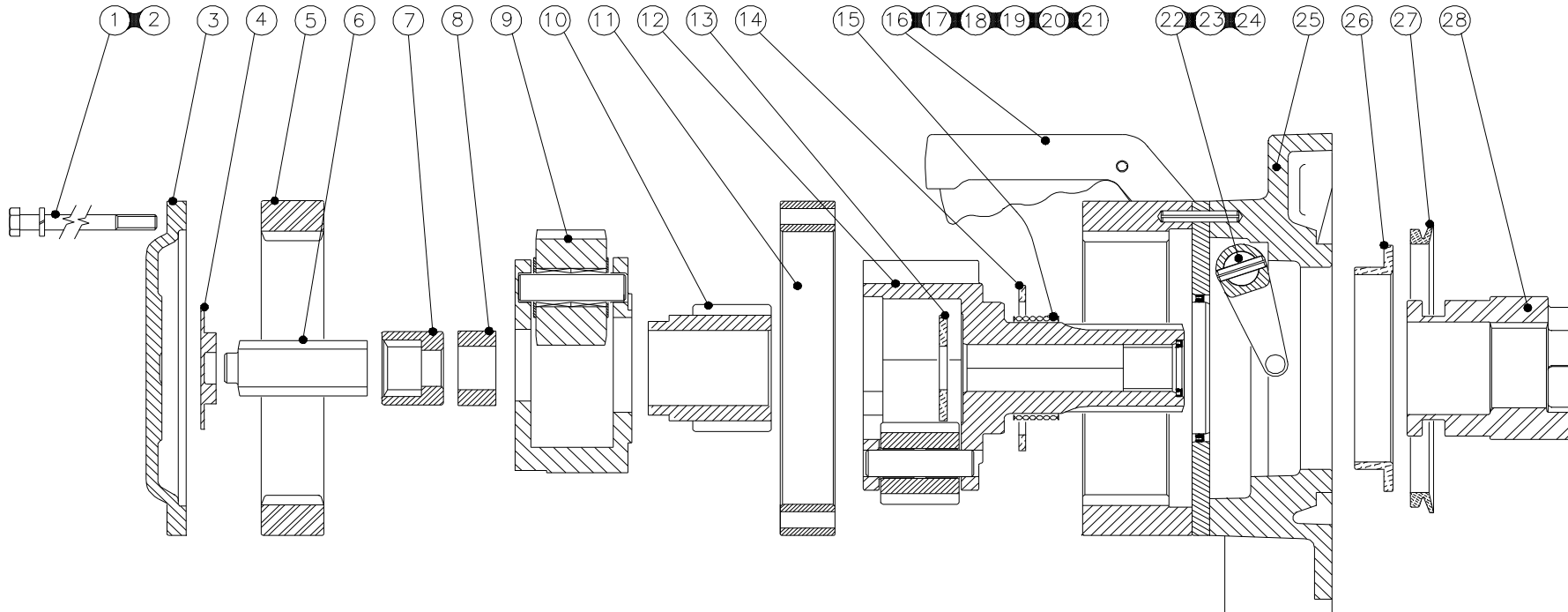
Item:	Description:	Part No:	Qty:	Item:	Description:	Part No:	Qty:
1	Freespool Assembly.	70-90008	1	14	Relief Valve.	70-90561	1
2	Clutch Housing.	70-25049	1	15	Oil Seal.	4-22-4560083	1
3	Face Seal.	4-22-180204143	2	16	Brake Shoe.	317	2
4	Flange Bearing.	10049	1	17	Brake Spring.	320	2
5	Spherical Plain Bearing.	4-99-04006228	1	18	Wormbox.	70-25009	1
6	Sliding Dog.	70-50034	1	19	Ball Bearing.	4-13-040090233	2
7	Circlip.	4-24-4556183	1	20	Thrust Washer	4-03-4060103	2
8	Spacer.	70-50081	1	21	Key.	557	2
9	Skt Hd Set Screw, M8 X 12.	4-40-081203	1	22	WormWheel / Worm Set.	70-95020	1
10	Rope Drum Assembly.	70-90006	1	23	Gasket.	70-60011	1
11	Driveshaft.	70-50032	1	24	Wormbox Cover.	70-25010	1
12	Plain Bearing, (Must be ordered with Drum).	4-62-4550303	2	25	Hex Set Screw, M8 X 25.	4-32-0802522	8
13	Drum Spacer.	70-60012	1	26	Spring Washer, M8.	4-51-0823	8

H14W HYDRAULIC WINCH GENERAL ASSEMBLY



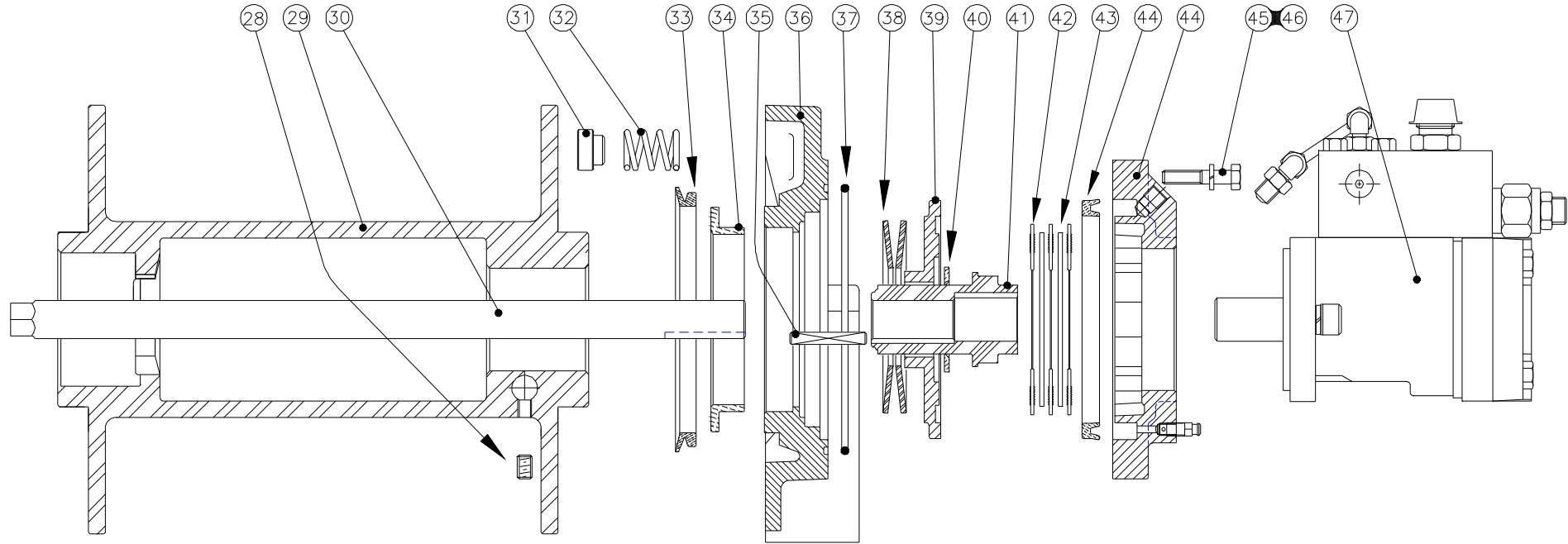
Item:	Description:	Part No:	Qty:	Item:	Description:	Part No:	Qty:
29	Tie Bar.	70-52146	2	38	'O' Ring.	4-21-05963	1
30	Hex Hd SetScrew, M10 X 25.	4-32-1002522	8	39	Cap Hd Screw, M8 X 25.	4-36-0802522	4
31	Spring Washer, M10	4-51-1023	8	40	Spring Washer, M8.	4-51-0823	4
32	Needle Roller Bearing.	4-12-30372013	2	41	Drive Adaptor.	70-90545	1
33	Thrust Washer.	4-09-3052163	2	42	Drive Coupling.	70-90009	1
34	Worm / Wormwheel Set.	70-95020	1	43	Hydraulic Motor.	94-32192-01	1
35	Key.	128	1	44	Cap Hd Screw, M12 X 40.	4-36-1204022	2
36	Oil Seal.	4-22-3042073	1	45	Spring Washer, M12.	4-51-1223	2
37	Gasket	70-60010	1				

H12 / 14P SERIES WINCHES, MANUAL FREESPOOL GEARBOX ASSEMBLY



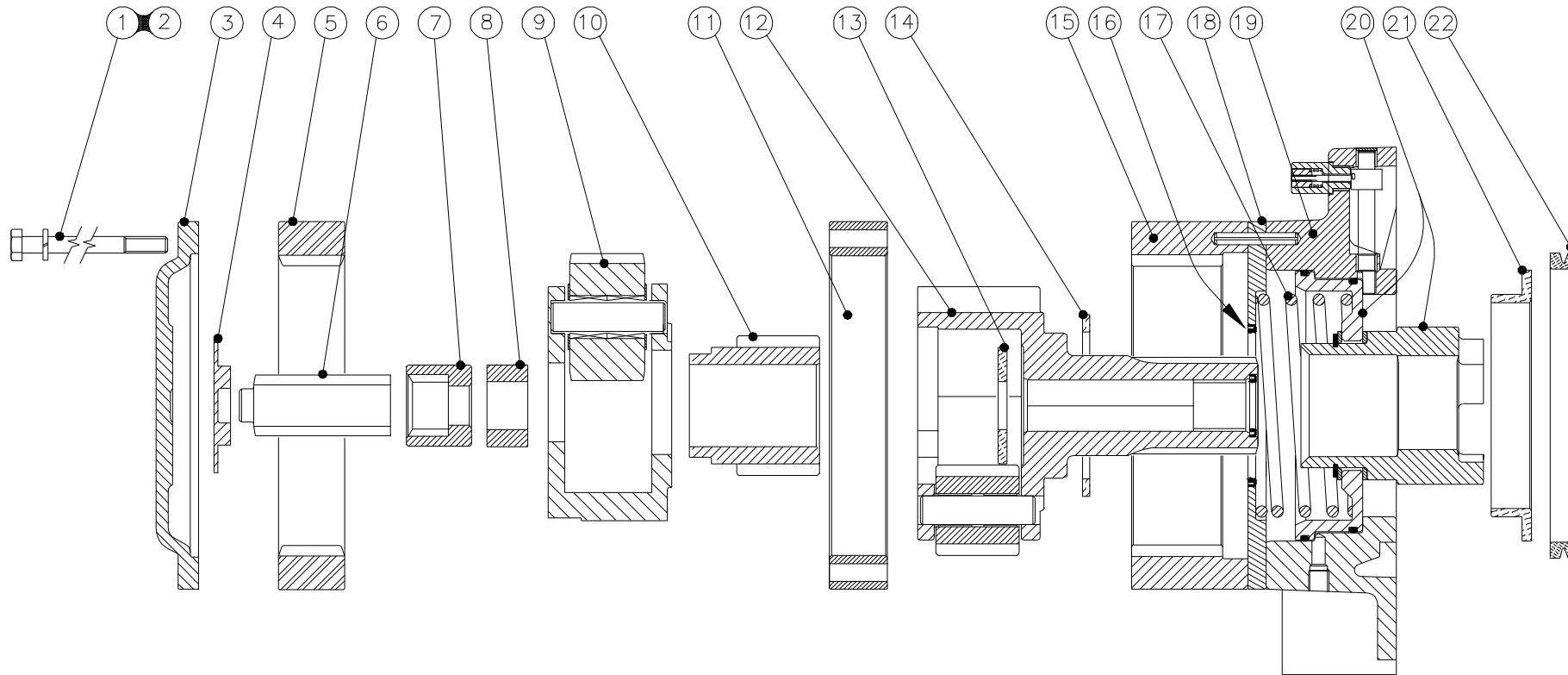
Item:	Description:	Part No:	Qty:	Item:	Description:	Part No:	Qty:
1	Bolt, M8 X 150	4-33-0815022	6	15	Wave Spring.	4-156-211195130	1
2	Spring Washer, M8	4-51-0823	6	16	Freespool Handle Assembly	53-90328	1
3	Gearbox Cover	53-25054	1	17	Latch Plate	53-60173	1
4	Thrust Pad	53-52224	1	18	Set Screw, M8 X 16	4-32-0801622	1
5	1 st Stage Ring Gear	88-32288-01	1	19	Plain Washer, M8	4-50-0823	1
6	1 st Stage Sun Gear	53-54036	1	20	Set Screw, M8 X 20	4-32-0802022	1
7	Driveshaft Coupling	53-70032	1	21	Spring Washer, M8	4-51-0823	1
8	Coupling Spacer	53-52270	1	22	Clutch Fork	53-52295	1
9	1 st Stage Carrier Assembly	53-90563	1	23	Freespool Pivot Shaft	53-50456	1
10	Final Stage Sun Gear	53-54058	1	24	Roll Pin, 6mm X 26	4-56-602603	1
11	Ring Gear Spacer	53-50421	1	25	Gearbox Base Assembly	53-90501	1
12	2 nd Stage Carrier Assembly	53-90271	1	26	Drum Bearing	53-40953	1
13	Thrust Washer	53-52241	1	27	V-Ring Seal	4-22-130151123	1
14	Thrust Washer	53-52223	1	28	Sliding Dog	53-25055	1

H12 / 14P SERIES WINCHES, MOTOR / DRUM ASSEMBLIES



Item No:	Description:	Part No:	Qty:	Item No:	Description:	Part No:	Qty:
28	Skt Set Screw, M8 X 10	4-40-081003	1	40	Thrust Washer	53-52240	1
29	Rope Drum, H12P Short, 101.6 X 255mm.	53-90150	1	41	Drive Coupling.	53-90336	1
29	Rope Drum, H12P, Long, 101.6 X 290mm.	53-90151	"	42	Fixed Brake Disc.	88-22313	3
29	Rope Drum, H14P, Short, 114.3 X 255mm.	53-90152	"	43	Rotating Brake Disc.	53-60184	2
29	Rope Drum, H14P, Long, 114.3 X 290mm.	53-90153	"	44	Motor Mount Plate with Seal.	53-90603	1
30	Drive Shaft, Short Drum, 255mm.	53-50466	1	45	Bolt, m8 X 40.	4-33-0804022	8
30	Drive Shaft, Long Drum, 290mm.	53-50467	"	46	Spring Washer, M8.	4-51-0823	8
31	Brake Pad.	317	2	47	Motor / Load Control Valve Assembly, H12P.	53-90517	1
32	Brake Spring.	320	2	47	Motor / Load Control Valve Assembly, H14P.	53-90518	"
33	V-Ring Seal.	4-22-130151123	1	N/S	Skt Hd Set Screw, M12 X 30	4-36-1203022	2
34	Drum Bearing.	53-40953	1	N/S	Tie Bar, Short Drum, 255mm.	53-52265	2
35	Key.	4-178-060645	1	N/S	Tie Bar, Long Drum, 290mm.	53-52266	"
36	Motor Housing Support.	53-25057	1	N/S	Set Screw, M12 X 25	4-32-1202522	8
37	'O' Ring.	4-21-7553	1	N/S	Spring Washer, M12	4-51-1223	10
38	Disc Spring	4-145-1125730	2				
39	Pressure Plate.	53-65026	1				

H12 / 14P SERIES WINCHES, PNEUMATIC FREESPOOL GEARBOX ASSEMBLY



Item:	Description:	Part No:	Qty:	Item:	Description:	Part No:	Qty:
1	Bolt, M8 X 150	4-33-0815022	6	12	2 nd Stage Carrier Assembly	53-90271	1
2	Spring Washer, M8	4-51-0823	6	13	Thrust Washer	53-52241	1
3	Gearbox Cover	53-25054	1	14	Thrust Washer	53-52223	1
4	Thrust Pad	53-52224	1	15	2 nd Stage Ring Gear.	53-54037	1
5	1 st Stage Ring Gear	88-32288-01	1	16	Oil Seal	4-22-7078053	1
6	1 st Stage Sun Gear	53-54036	1	17	Spring	4-31-1068505803	1
7	Driveshaft Coupling	53-70032	1	18	Spacer.	53-50374	1
8	Coupling Spacer	53-52270	1	19	Gearbox Housing Assembly.	53-90310	1
9	1 st Stage Carrier Assembly	53-90563	1	20	Actuator / Piston Assembly	53-90591	1
10	Final Stage Sun Gear	53-54058	1	21	Drum Bearing	53-40953	1
11	Ring Gear Spacer	53-50421	1	22	V-Ring Seal	4-22-130151123	1



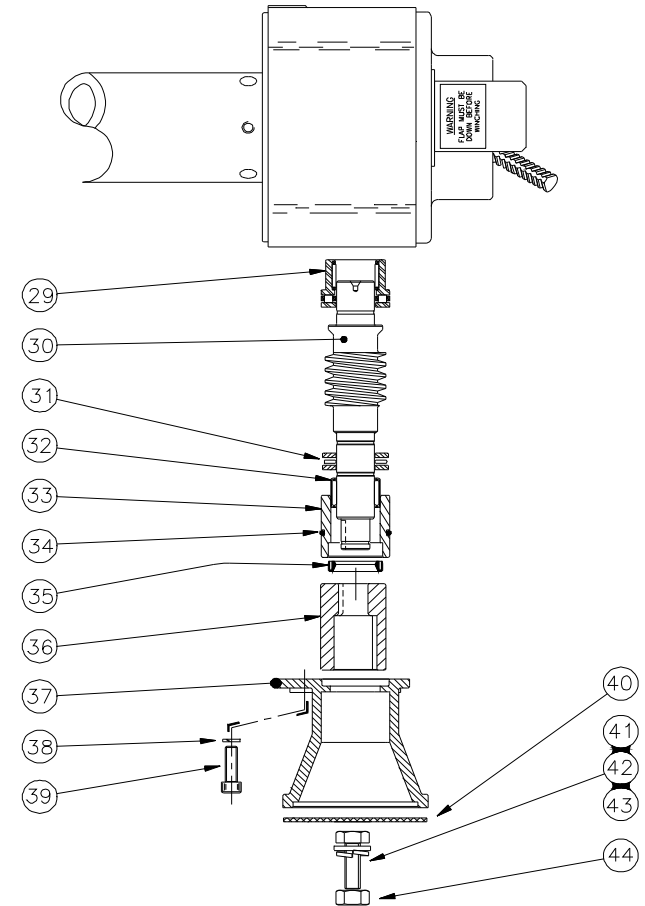
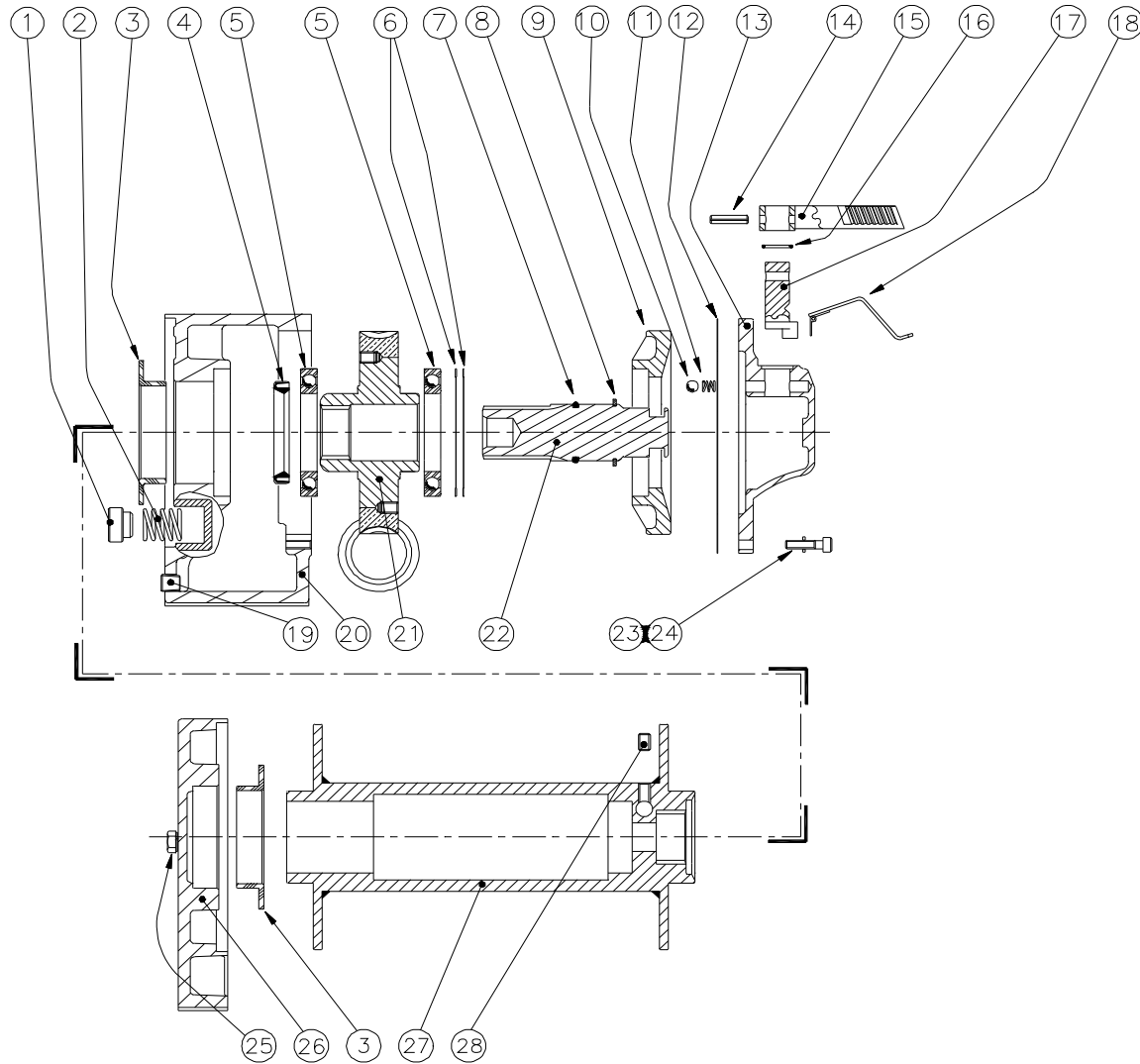
H9W HYDRAULIC WINCH PARTS LIST

ITEM:	DESCRIPTION:	PART No:	QTY:	ITEM:	DESCRIPTION:	PART No:	QTY
1	Brake Shoe	317	2	23	Cap Hd Screw, M6 X 25mm	4-36-0602522	8
2	Brake Spring	320	2	24	Spring Washer, M6	4-51-0623	8
3	Flanged Bearing	7658	2	25	Set Screw, M8 X 16mm	4-32-0801622	2
4	Oil Seal	4-22-5572103	1	26	Support Housing	7645	1
5	Ball Bearing	4-13-55090113	2	27	Rope Drum Assembly	85-90005	1
6	Shim, 0.07mm	4-01-8090073	A/r	28	Skt Set Screw, M8 X 12mm	4-40-081203	1
6	Shim, 0.12mm	4-01-8090123	A/r	29	Roller / Thrust Bearing	7721	1
7	'O' Ring	4-21-7813	1	30	Worm / Wormset Assembly	85-95019	1
8	Circlip	4-24-4053183	1	31	Thrust Washer	4-03-2542303	2
9	Bearing Carrier	7654	1	31	Thrust Bearing	4-07-2542203	1
10	Steel Ball	4-54-79324	1	32	Needle Bearing	4-12-25322013	1
11	Spring	4-31-7629510223	1	33	Location Plug	7667	1
12	Gasket	7688	1	34	'O' Ring	4-21-6543	1
13	Clutch Housing	7652	1	35	Oil Seal	4-22-2535073	1
14	Roll Pin	4-56-602603	1	36	Motor / Wormshaft Coupling	94-20060	1
15	Operating Lever	7673	1	37	Motor Housing Support	94-32170	1
16	'O' Ring	4-21-6423	1	38	Spring Washer, M8	4-51-0823	4
17	Clutch Shaft	7676	1	39	Cap Hd Screw, M8 X 25mm	4-36-0802522	4
18	Safety Flap Assembly	10161	1	40	Cardboard Flange Cover.	4-150-006	1
19	Pressure Plug	4-29-224	2	41	Set Screw, M12X 45	4-33-1204522	2
20	Wormbox	7643	1	42	Plain Washer, M12	4-50-1223	2
21	Wormwheel / Worm set	85-95019	1	43	Spring Washer, M12	4-51-1223	2
22	Clutch Member	7659	1	44	Full Nut, M12	4-47-1223	2
				N/S	Hydraulic Motor Assembly	85-90231	1

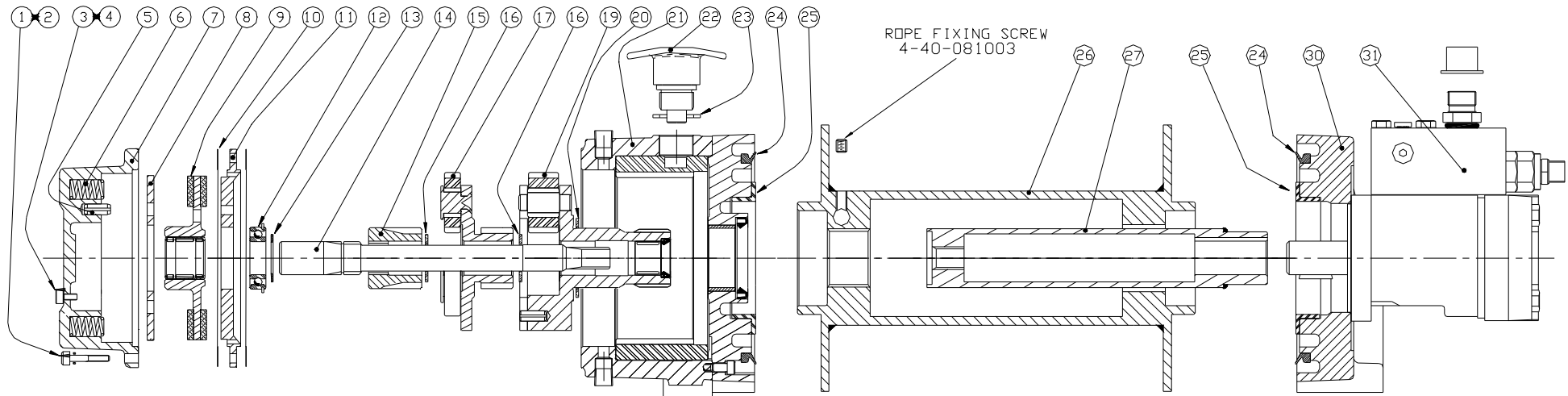
H9W WINCH SERVICE KITS.

DESCRIPTION:	PART No:	CONSISTS OF:
H9W Winch Seal kit.	85-95016	All 'O' Rings, Oil Seals and Gaskets.
H9W Rope Drum Service kit.	85-95015	Brake Shoes, Brake Springs, Socket Hd set Screws and Flanged Bearings.

H9W HYDRAULIC WINCH GENERAL ASSEMBLY



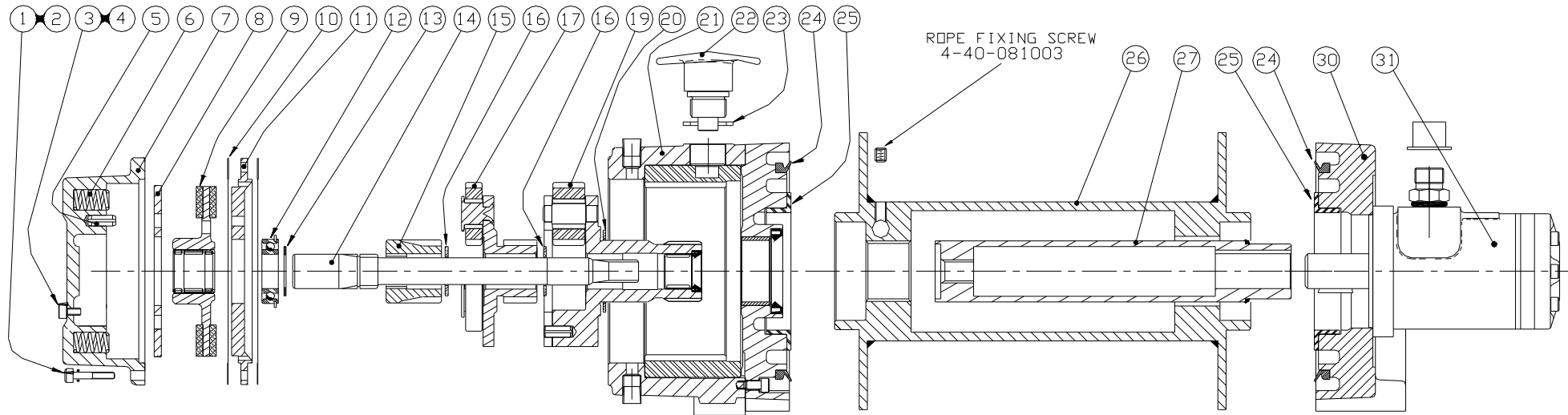
H8P / H10P SERIES WINCHES, GENERAL ASSEMBLY, WITH LOAD CONTROL VALVE



Item:	Description:	Part No:	Qty:	Item:	Description:	Part No:	Qty:
1	Cap Hd Screw.	4-36-0603022	6	19	2 nd Stage Carrier Assy.	10011	1
2	Spring Washer.	4-51-0623	6	20	Thrust Washer.	10051	1
3	Cap Hd Screw.	4-36-0601022	2	21	Gear Housing Assy.	50-90547	1
4	Screw Seal.	4-23-063	2	22	F / Spool Assy, Manual.	10076	1
5	Roll Pin.	4-56-802003	3	22	F / Spool Assy, Air.	5603	"
6	Spring.	4-31-1403030403	6	22	No F / Spool Plug.	10280	"
7	Brake Housing.	50-90622-01	1	23	Washer.	10295	1
7	Brake Housing, (5052Gg, only).	50-25160	"	24	Face Seal.	4-22-140161123	2
8	Pressure Plate.	10002	1	25	Drum Bearing.	10049	1
9	Friction Plate Assy.	10028	1	26	Drum Assy, 190mm.	50-90010	1
10	Gasket.	10063	2	26	Drum Assy, 253mm.	50-90011	"
11	Bearing Plate & Ball Bearing.	50-95074	1	26	Drum Assy, 253, DIN.	50-90003	"
12	Ball Bearing.		1	27	Coupling Tube, 190mm.	50-90014	1
13	Snap Ring.	4-26-2517123	1	27	Coupling Tube, 253mm.	50-90015	"
14	Drive Shaft.	50-50056	1	30	Support Housing.	50-90424	1
15	Sun Gear.	50-54013	1	31	Motor / Block Assembly.	50-90425	1
16	Thrust Washer.	10006	2	n/s	Tie Bar, 190mm.	50-52006	2
17	1 st Stage Carrier Assy.	10061	1	n/s	Tie Bar, 253mm.	50-52007	"

NOTE: Item 11, Bearing Plate: 50-95074, is supplied fitted with ball Bearing: 4-13-025047123.

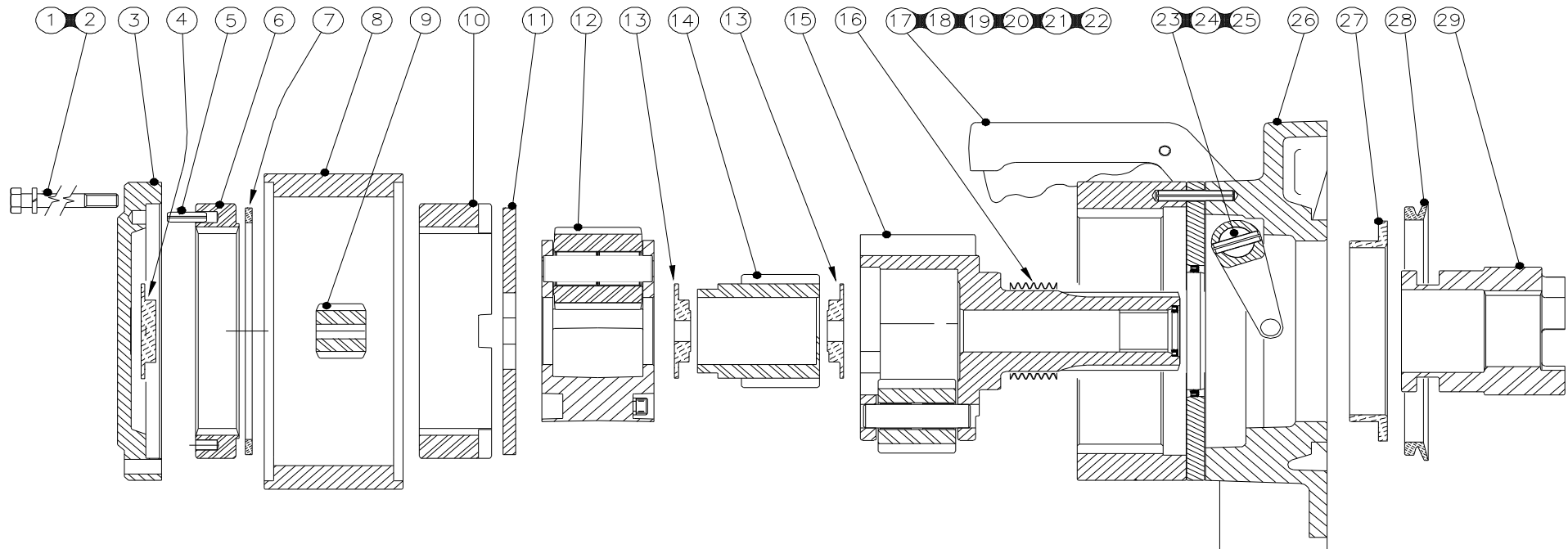
H8P / H10P SERIES WINCHES, GENERAL ASSEMBLY, WITHOUT LOAD CONTROL VALVE



Item:	Description:	Part No:	Qty:	Item:	Description:	Part No:	Qty:
1	Cap Hd Screw	4-36-0603022	6	20	Thrust Washer	10051	1
2	Spring Washer	4-51-0623	6	21	Gear Housing Assy	50-90547	1
3	Cap Hd Screw	4-36-0601022	2	22	F / Spool Assy, Manual	10076	1
4	Screw Seal	4-23-063	2	22	F / Spool Assy, Air	5603	"
5	Roll Pin	4-56-802003	3	22	No F / Spool Plug	10280	"
6	Spring	4-31-1403030403	6	23	Washer	10295	1
7	Brake Housing	50-90622-01	1	24	Face Seal	4-22-140161123	2
8	Pressure Plate	10002	1	25	Drum Bearing	10049	1
9	Friction Plate Assy	10028	1	26	Drum Assy, 190mm	50-90010	1
10	Gasket	10063	2	26	Drum Assy, 253mm	50-90011	"
11	Bearing Plate, fitted with Bearing.	50-95074	1	26	Drum Assy, 253, DIM	50-90003	"
12	Ball Bearing		1	27	Coupling Tube, 190mm	50-90014	1
13	Snap Ring	4-26-2517123	1	27	Coupling Tube, 253mm	50-90015	"
14	Drive Shaft	50-50056	1	30	Support Housing	50-90424	1
15	Sun Gear	50-54013	1	31	Motor Assembly	50-90433	1
16	Thrust Washer	10006	2	n/s	Tie Bar, 190mm	50-52006	2
17	1st Stage Carrier Assy	10061	1	n/s	Tie Bar, 253mm	50-52007	"
19	2nd Stage Carrier Assy	10011	1				

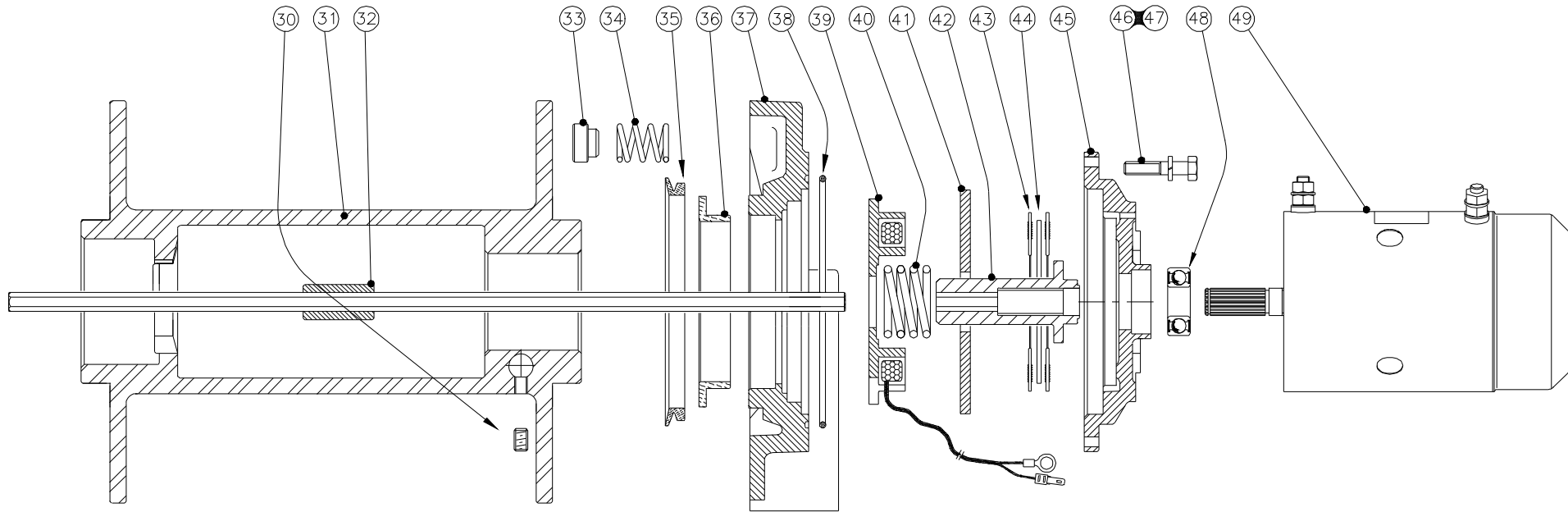
NOTE: Item 11, Bearing Plate, 50-95074 is supplied fitted with ball Bearing: 4-13-025047123.

E12P /E14P SERIES ELECTRIC WINCHES, GEARBOX ASSEMBLY



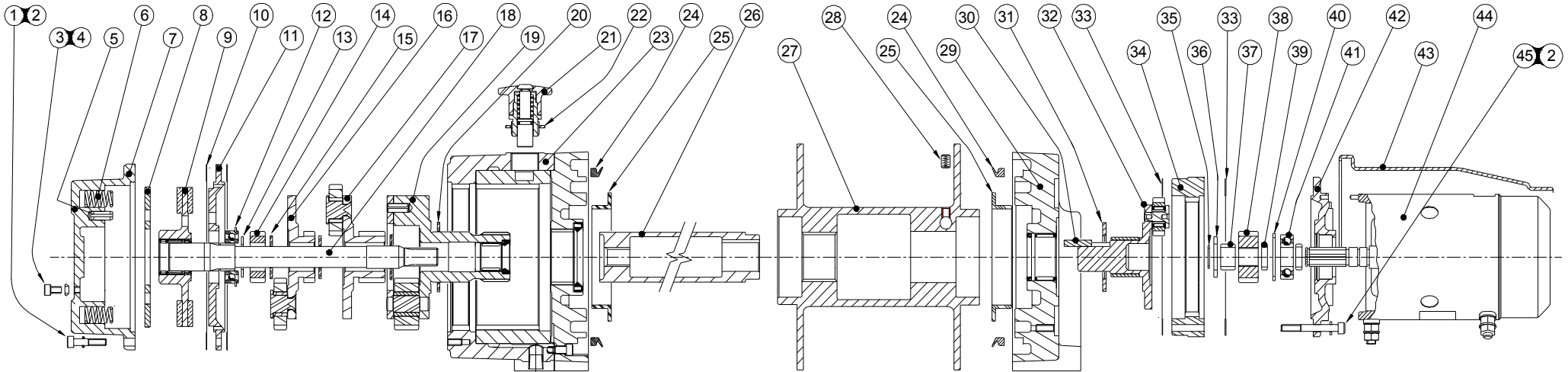
Item:	Description:	Part No:	Qty:	Item:	Description:	Part No:	Qty:
1	Bolt, M8 X 160	4-33-0816022	6	16	Wave Spring.	4-156-211195130	1
2	Spring Washer, M8.	4-51-0823	6	17	Freespool Handle Assembly	53-90328	1
3	Gearbox Cover.	53-50472	1	18	Latch Plate	53-60173	1
4	Thrust Pad.	53-40963	1	19	Set Screw, M8 X 16	4-32-0801622	1
5	Roll Pin.	4-56-602004	6	20	Plain Washer, M8	4-50-0823	1
6	Fixed Ring Gear.	53-50473	1	21	Set Screw, M8 X 20	4-32-0802022	1
7	Thrust Washer.	53.50476	1	22	Spring Washer, M8	4-51-0823	1
8	Gearbox Housing.	53-50471	1	23	Clutch Fork	53-52295	1
9	1 st Stage Sun Gear.	53-50480	1	24	Freespool Pivot Shaft	53-50456	1
10	Rotating Ring Gear.	90-32232-01	1	25	Roll Pin, 6mm X 26	4-56-602603	1
11	Drive Plate.	53-50477	1	26	Gearbox Base Assembly	53-90501	1
12	1 st Stage Carrier Assembly.	53-90156	1	27	Drum Bearing	53-40953	1
13	Thrust Washer.	53-40954	2	28	V-Ring Seal	4-22-130151123	1
14	Final Stage Sun Gear.	53-50479	1	29	Sliding Dog	53-25055	1
15	2 nd Stage Carrier Assembly.	53-90271	1				

E12P /E14P SERIES ELECTRIC WINCHES, MOTOR / DRUM ASSEMBLY



Item No:	Description:	Part No:	Qty:	Item No:	Description:	Part No:	Qty:
30	Skt Set Screw, M8 X 10	4-40-081003	1	40	Brake Spring.	4-31-4503744703	1
31	Rope Drum, E12P Short, 101.6 X 255mm.	53-90150	1	41	Pressure Plate.	53-65027	1
31	Rope Drum, E12P, Long, 101.6 X 290mm.	53-90151	"	42	Motor Coupling.	53-30143	1
31	Rope Drum, E14P, Short, 114.3 X 255mm.	53-90152	"	43	Fixed Brake disc.	88-22313	2
31	Rope Drum, E14P, Long, 114.3 X 290mm.	53-90153	"	44	Rotating Brake Disc.	53-60184	1
32	Drive Shaft, Short Drum, 255mm.	53-90503	1	45	Motor Mount Plate.	53-25061	1
32	Drive Shaft, Long Drum, 290mm.	53-90504	"	46	Skt Head Screw, m6 X 22.	4-36-0602222	6
33	Brake Pad.	317	2	47	Spring Washer, M6.	4-51-0623	6
34	Brake Spring.	320	2	48	Ball Bearing.	4-13-017040123	1
35	V-Ring Seal.	4-22-130151123	1	49	Motor, 12v.	7682	1
36	Drum Bearing.	53-40953	1	49	Motor, 24v.	7694	"
37	Motor Housing Support.	53-25130	1	N/S	Tie Bar, Short Drum, 255mm.	53-52265	2
38	O Ring.	4-21-7553	1	N/S	Tie Bar, Long Drum, 290mm.	53-52266	"
39	Electro magnetic Coil, 12v.	53-90521	1	N/S	Set Screw, M12 X 25	4-32-1202522	8
39	Electro Magnetic Coil, 24v.	53-90522	1	N/S	Spring Washer	4-51-1223	8

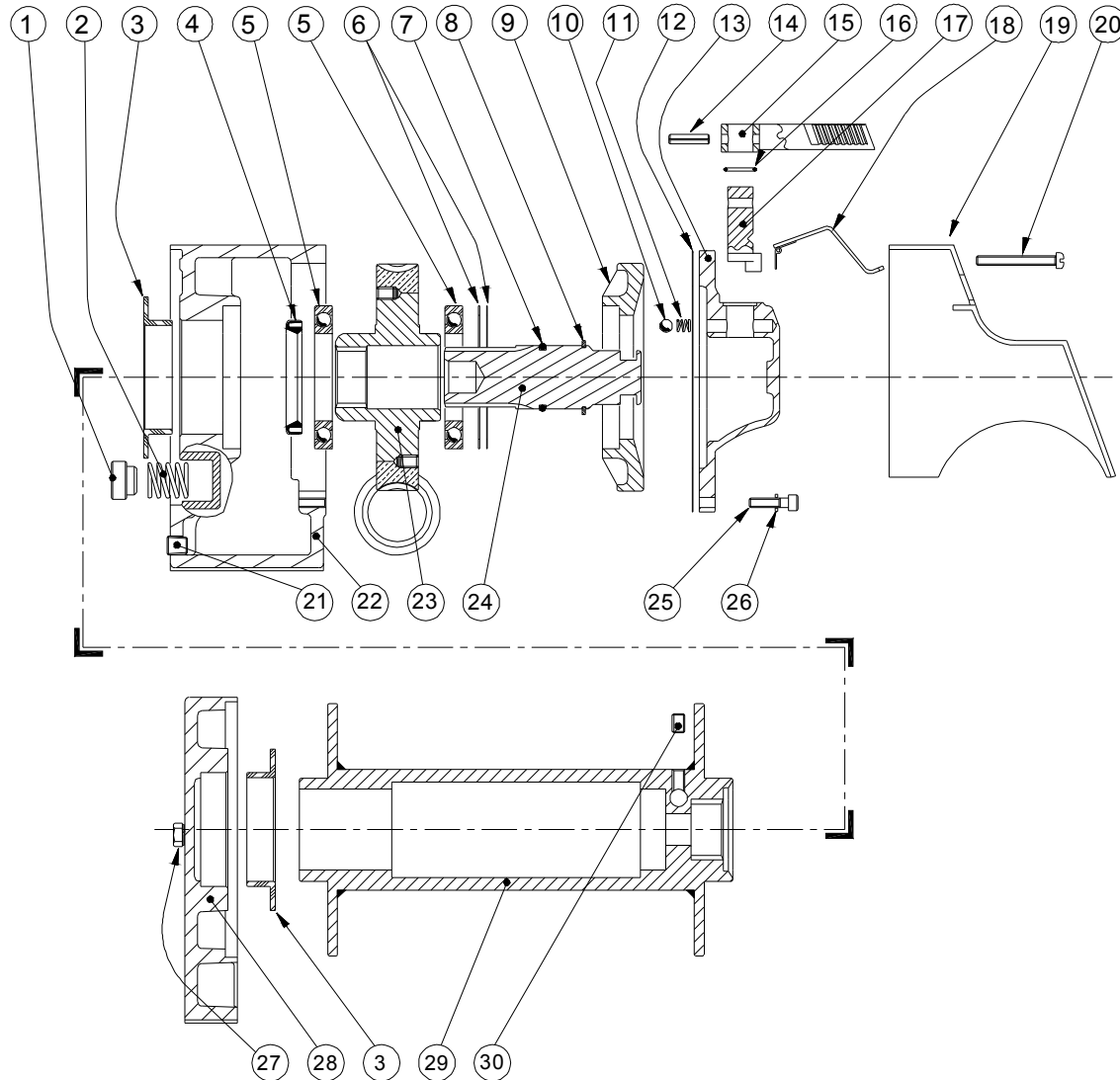
E10P SERIES ELECTRIC WINCHES, GENERAL ASSEMBLY



Item:	Description:	Part No:	Qty:	Item	Description:	Part Number:	Qty:	Item	Description:	Part Number:	Qty
1	Cap Hd Screw	4-36-0603022	6	19	4 th Stage Carrier Assembly	10011	1	33	Gasket	10365	2
2	Spring Washer	4-51-0623	6	20	Thrust Washer	10051	1	34	1 st Stage Ring Gear	52-54014	1
3	Cap Hd Screw	4-36-0601022	2	21	F/Spool Assy, Manual	10076	1	35	Circlip	4-24-1622113	1
4	Screw Seal	4-23-063	2	"	F/Spool Assy, Air	5603	"	36	Thrust Washer	10362	1
5	Roll Pin	4-56-802003	3	"	Non F/Spool Plug	10280	"	37	Spacer	10360	1
6	Spring	4-31-146302203	6	22	Washer	10295	1	38	1 st Stage Sun Gear	10353	1
7	Brake Housing	50-90622-01	1	23	Gearbox Assembly	52-90556	1	39	Spacer	52-50080	2
8	Pressure Plate	10002	1	24	'V' Seal	4-22-140161123	2	40	Snap Ring	4-25-4030173	1
9	Friction Plate Assembly	10028	1	25	Flanged Bearing	10049	2	41	Ball Bearing	4-13-017040123	1
10	Gasket	10063	2	26	Coupling Tube, 253mm	52-90017	1	42	Motor Adaptor Plate	52-20018	1
11	Bearing Plate & Bearing	52-95075	1	"	Coupling Tube, 190mm	52-90016	"	43	Motor Cover	52-40000	1
12	Ball Bearing		1	27	Rope Drum Assy, 253mm	50-90011	1	44	Motor, 12 volt	7682	1
13	Snap Ring	4-26-2517123	1	"	Rope Drum Assy, 190mm	50-90010	"	"	Motor, 24 volt	7694	"
14	Sun Gear, 2 nd Stage	52-54011	1	28	Set Screw, M8 X 10	4-40-081003	1	45	Cap Hd Screw, M6 X 55	4-36-0605522	6
15	Thrust Washer	10006	3	29	Motor Housing	52-25016	1	N/S	Tie Bar, 253mm	50-52007	2
16	2 nd Stage Carrier Assy	52-90021	1	30	Key	52-50082	1	N/S	Tie Bar, 190mm	50-52006	"
17	3 rd Stage Carrier Assy	10061	1	31	Thrust Washer	10361	1				
18	Drive Shaft	50-50056	1	32	1 st Stage Carrier Assy	52-90020	1				

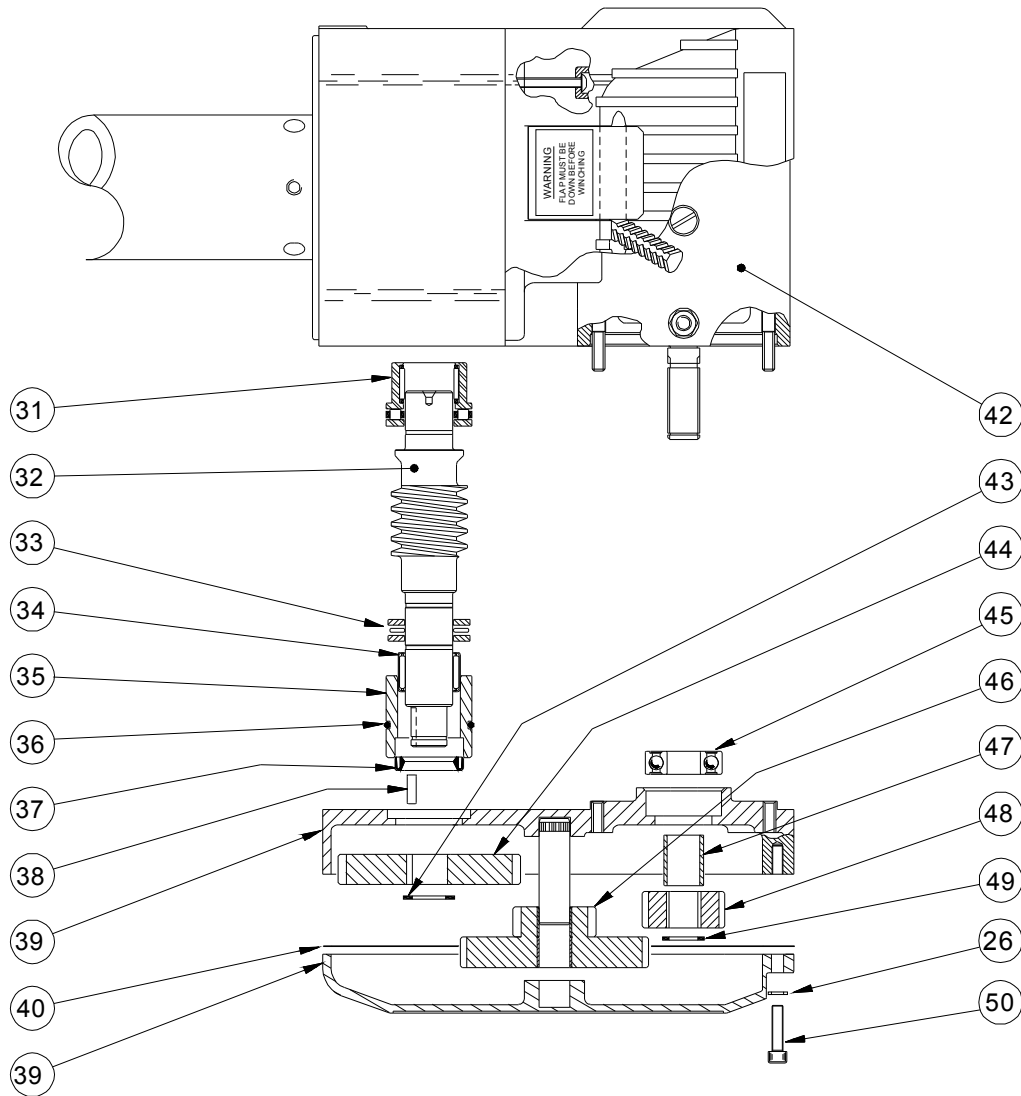
NOTE: Item 11, Bearing Plate, 52-95075 is supplied fitted with Ball Bearing: 4-13-025047123.

HUSKY ELECTRIC WINCHES, GENERAL ASSEMBLY



ITEM:	DESCRIPTION:	PART No:	QTY:
1	Brake Shoe	317	2
2	Brake Spring	320	2
3	Flanged Bearing	7658	2
4	Oil Seal	4-22-5572103	1
5	Ball Bearing	4-13-55090113	2
6	Shim, 0.07mm	4-01-8090073	A/r
6	Shim, 0.12mm	4-01-8090123	A/r
7	'O' Ring	4-21-7813	1
8	Circlip	4-24-4053183	1
9	Bearing Carrier	7654	1
10	Steel Ball	4-54-79324	1
11	Spring	4-31-7629510223	1
12	Gasket	7688	1
13	Clutch Housing	7652	1
14	Roll Pin	4-56-602603	1
15	Operating Lever	7673	1
16	'O' Ring	4-21-6423	1
17	Clutch Shaft	7676	1
18	Safety Flap Assembly	10161	1
19	Motor Cover	10166	1
20	Set Screw, M6 X 50mm	4-71-0605023	2
21	Pressure Plug	4-29-224	2
22	Wormbox	7643	1
23	Wormwheel / Worm set	85-95019	1
24	Clutch Member	7659	1
25	Cap Hd Screw, M6 X 25mm	4-36-0602522	8
26	Spring Washer, M6	4-51-0623	16
27	Set Screw, M8 X 16mm	4-32-0801622	8
28	Support Housing.	7645	1
29	Rope Drum Assembly	85-90005	1
30	Skt Set Screw, M8 x 12mm	4-40-081203	1

HUSKY ELECTRIC WINCHES, GENERAL ASSEMBLY



ITEM:	DESCRIPTION:	PART No:	QTY:
31	Roller / Thrust Bearing	7721	1
32	Worm / Wormset Assembly	85-95019	1
33	Thrust Washer	4-03-2542303	2
33	Thrust Bearing	4-07-2542203	1
34	Needle Bearing	4-12-25322013	1
35	Location Plug	7667	1
36	'O' Ring	4-21-6543	1
37	Oil Seal	4-22-2535073	1
38	Key	7764	1
39	Gear Housing / Cover Assembly	8738	1
40	Gasket	7689	1
42	Electric Motor, 12 volt	7682	1
42	Electric Motor, 24 volt	7694	"
43	Circlip	4-24-1927103	1
44	Wormshaft Gear, 46t	7666	1
45	Ball Bearing	4-13-017040123	1
46	Intermediate Cluster, 32t, 229 ratio	85-90171	1
46	Intermediate Cluster, 27t, 294 ratio	85-90172	"
47	Spacer	7686	1
48	Motor Gear, 32t, 229 ratio	85-54008	1
48	Motor Gear, 27t, 294 ratio	7663	"
49	Circlip	4-24-1622113	1
50	Cap Hd Screw, M6 X 25mm	4-36-0602522	8

HUSKY WINCH SERVICE KITS		
Description:	Part No:	Consists of:
12v Motor Service kit	85-95014	Motor, Cir-Clip, Semi-Fluid Grease, Gasket
24 v Motor Service kit	85-95062	Motor, Cir-Clip, Semi-Fluid Grease, Gasket
Husky Winch Seal kit	85-95016	All O-Rings, Oil Seals & Gaskets
Husky Rope Drum kit	85-95015	Brake Shoes, Brake Springs, Brgs, Screws